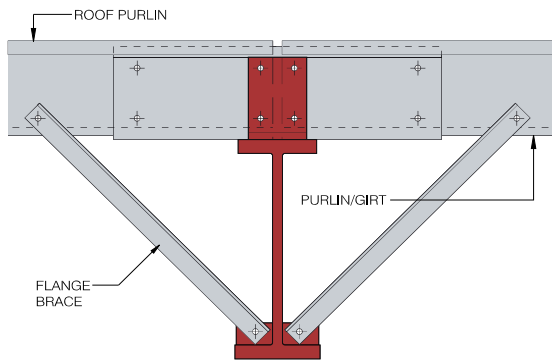
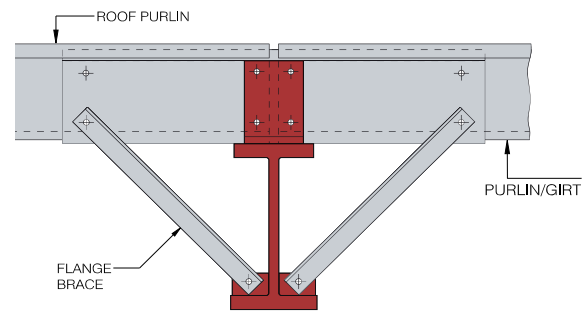


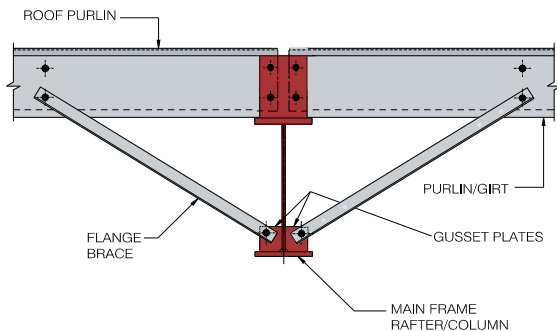
PURLINS ~ INSTALLATION DETAILS



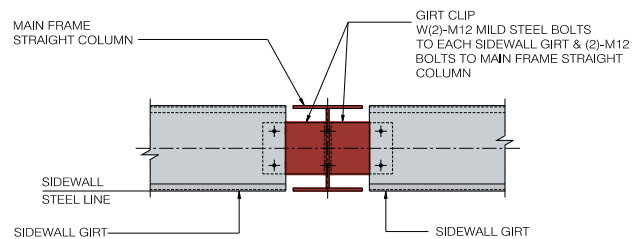
POSITIONING OF RAFTER STAY HOLES ON DEEPER RAFTERS



SLEEVE FIXING HOLE POSITIONS

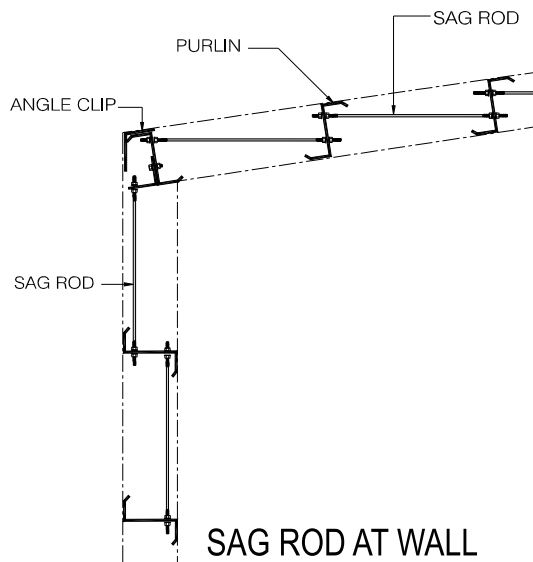


PURLIN / GIRT BUTT JOINT

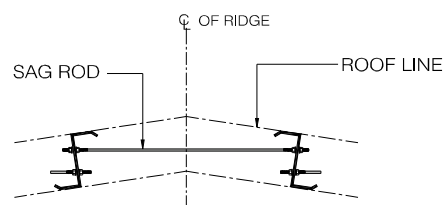


FLUSH SIDEWALL GIRTS AT MAIN FRAME STRAIGHT COLUMN

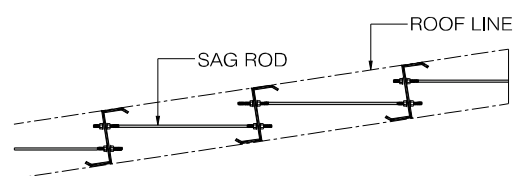
SAG ROD INSTALLATIONS



SAG ROD AT WALL



SAG ROD AT RIDGE



SAG ROD AT ROOF